

**BALDOR® • RELIANCE** 

**Product Information Packet**

**VSSWDM3541**

**.75HP,3450RPM,3PH,60HZ,56C,3518M,TENV,F1**

Part Detail							
Revision:	AC	Status:	PRD/A	Change #:		Proprietary:	No
Type:	AC	Elec. Spec:	35WGT097	CD Diagram:	CD0005	Mfg Plant:	
Mech. Spec:	35V824	Layout:	35LYV824	Poles:	02	Created Date:	06-22-2007
Base:	N	Eff. Date:	08-12-2019	Leads:	9#18		

Specs			
Catalog Number:	VSSWDM3541	Insulation Class:	F
Enclosure:	TENV	Inverter Code:	Not Inverter
Frame:	56C	KVA Code:	N
Frame Material:	Stainless Steel	Lifting Lugs:	No Lifting Lugs
Output @ Frequency:	.750 HP @ 60 HZ	Locked Bearing Indicator:	Locked Bearing
Synchronous Speed @ Frequency:	3600 RPM @ 60 HZ	Motor Lead Quantity/Wire Size:	9 @ 18 AWG
Voltage @ Frequency:	460.0 V @ 60 HZ	Motor Lead Exit:	Ko Box
	230.0 V @ 60 HZ	Motor Lead Termination:	Flying Leads
XP Class and Group:	None	Motor Type:	3518M
XP Division:	Not Applicable	Mounting Arrangement:	F1
Agency Approvals:	CSA	Power Factor:	80
	UR	Product Family:	Wash Down All Stainless Steel
Auxillary Box:	No Auxillary Box	Pulley End Bearing Type:	Ball
Auxillary Box Lead Termination:	None	Pulley Face Code:	C-Face
Base Indicator:	No Mounting	Pulley Shaft Indicator:	Standard
Bearing Grease Type:	Polyrex EM (-20F +300F)	Rodent Screen:	None
Blower:	None	Shaft Extension Location:	Pulley End
Current @ Voltage:	1.100 A @ 460.0 V	Shaft Ground Indicator:	No Shaft Grounding

	2.200 A @ 230.0 V	<b>Shaft Rotation:</b>	Reversible
	2.300 A @ 208.0 V	<b>Shaft Slinger Indicator:</b>	No Slinger
<b>Design Code:</b>	B	<b>Speed Code:</b>	Single Speed
<b>Drip Cover:</b>	No Drip Cover	<b>Motor Standards:</b>	NEMA
<b>Duty Rating:</b>	CONT	<b>Starting Method:</b>	Direct on line
<b>Electrically Isolated Bearing:</b>	Not Electrically Isolated	<b>Thermal Device - Bearing:</b>	None
<b>Feedback Device:</b>	NO FEEDBACK	<b>Thermal Device - Winding:</b>	None
<b>Front Face Code:</b>	Standard	<b>Vibration Sensor Indicator:</b>	No Vibration Sensor
<b>Front Shaft Indicator:</b>	None	<b>Winding Thermal 1:</b>	None
<b>Heater Indicator:</b>	No Heater	<b>Winding Thermal 2:</b>	None

Nameplate NP1951A01											
CAT.NO.	VSSWDM3541										
SPEC.	35V824T097										
HP	.75										
VOLTS	230/460										
AMP	2.2/1.1										
RPM	3450										
FRAME	56C					HZ	60			PH	3
SER.F.	1.25			CODE	N		DES	B		CLASS	F
NEMA-NOM-EFF	80				PF	80					
RATING	40C AMB-CONT										
CC										USABLE AT 208V	2.3
DE	6205				ODE	6203					
ENCL	TENV			SN							
	SFA 2.6/1.3										

Parts List		
Part Number	Description	Quantity
SA145418	SA 35V824T097	1.000 EA
RA134567	RA 35V824T097	1.000 EA
NS2512A01	INSULATOR, CONDUIT BOX X	1.000 EA
35CB5001A08	CONDUIT BOX KIT, S/P 9-2 (ALL STAINLESS)	1.000 EA
HA5027A02	HA4054 T-DRAIN X2 BAGGED WITH LABEL	1.000 EA
11XW1032G06	10-32 X .38, TAPTITE II, HEX WSHR SLTD U	1.000 EA
HW3001B01	BRASS CUP WASHER, FOR #10 SCREW	1.000 EA
35FE1913A01	FR ENDPLATE ASSY	1.000 EA
HW5100A03	WAVY WASHER (W1543-017)	1.000 EA
35PE1914A02	PU EP ASSY. FOR LOCKED BRG	1.000 EA
HW4606A02	JM CLIPPER/SEAL (LWE-0938-1624-AL23)	1.000 EA
12XN1032S22	10-32 X 1 3/8 SLOT HEX, STAINLESS STEEL	2.000 EA
HA1049A01	DUBO LOK WASHER SIZE 10 (NYLON LOCK SEAL	2.000 EA
HA1049A01	DUBO LOK WASHER SIZE 10 (NYLON LOCK SEAL	4.000 EA
HW2502D13	SS KEY, 3/16 SQ X 1.375	1.000 EA
HA7000A04	KEY RETAINER 0.625 DIA SHAFTS	1.000 EA
MJ5001A02	732 CL SEALANT 3 OZ DIXIE BEARING 289100	0.001 EA
MJ1000A02	GREASE, MOBIL POLYREX EM - 124047	0.050 LB
HA3100S45	THRU BOLT HEX-HEAD 7.95 10-32	4.000 EA
MN416A01	TAG-INSTAL-MAINT no wire (1200/bx) 3/19	1.000 EA
35PA1066	PKG GRP, PRINT PK1008A06	1.000 EA
PK3083	STYROFOAM PACKING CRADLE	1.000 EA
LB1417	LABEL CARTON 6X4 PERFORATED BLANK ROLLS	1.000 EA
PK3088	MICROFOAM, 8"X"8 PERF. SHEETS 5,400/RL	1.000 EA

**AC Induction Motor Performance Data**  
Record # 9255 - Typical performance - not guaranteed values

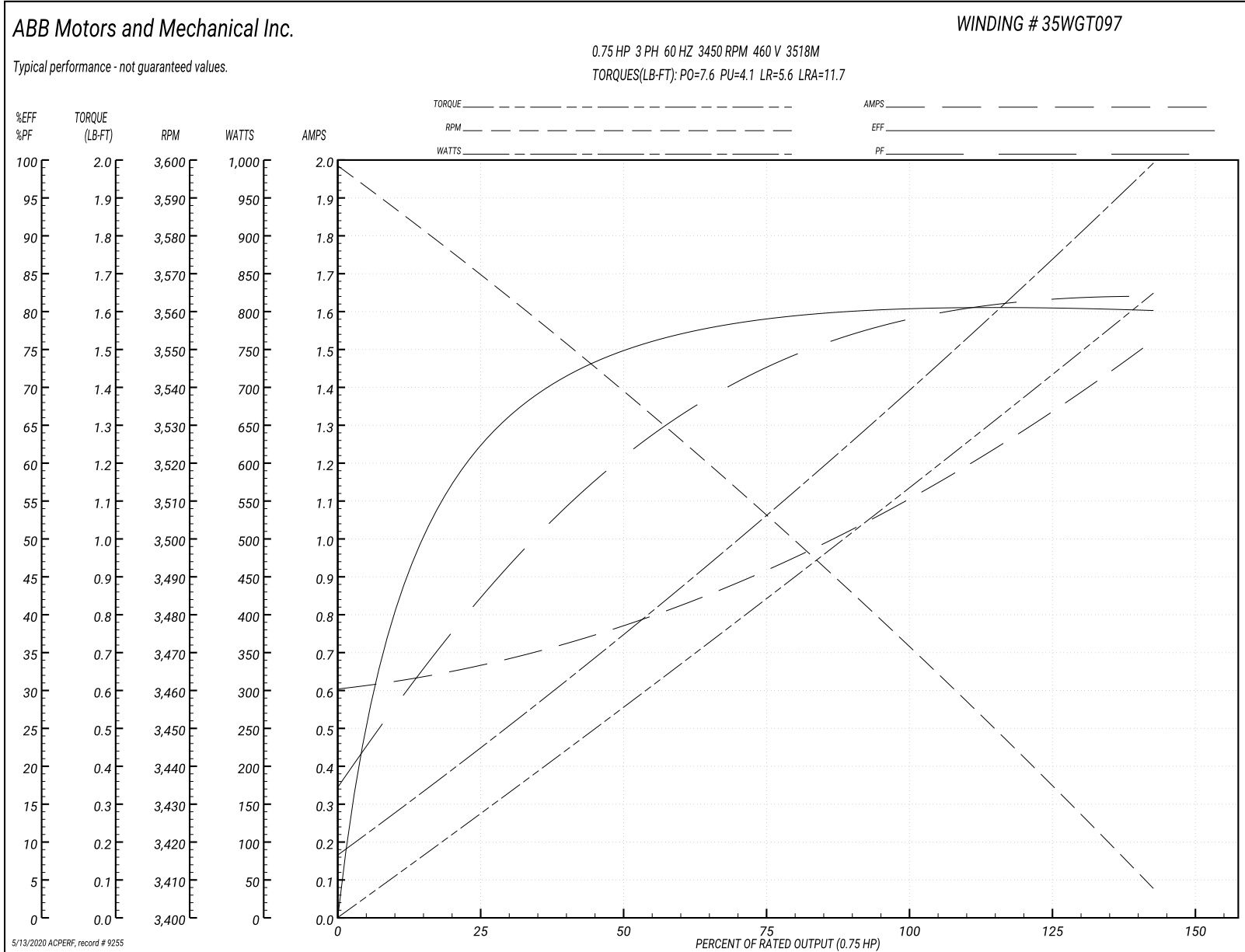
<b>Winding:</b> 35WGT097-R001	<b>Type:</b> 3518M	<b>Enclosure:</b> TENV
-------------------------------	--------------------	------------------------

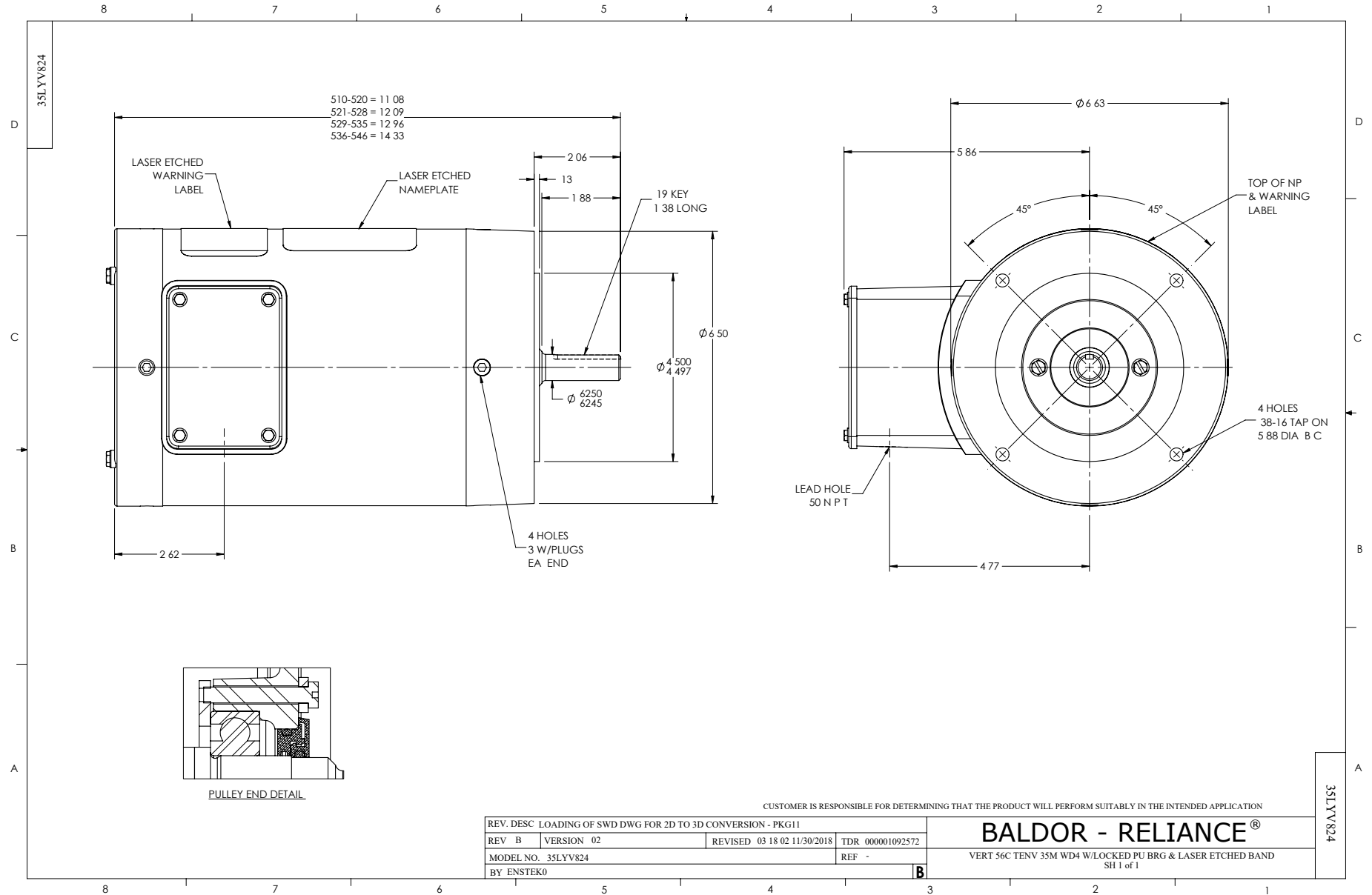
Nameplate Data				460 V, 60 Hz: High Voltage Connection	
Rated Output (HP)	.75			Full Load Torque	1.1 LB-FT
Volts	230/460			Start Configuration	direct on line
Full Load Amps	2.2/1.1			Breakdown Torque	7.6 LB-FT
R.P.M.	3450			Pull-up Torque	4.1 LB-FT
Hz	60	Phase	3	Locked-rotor Torque	5.6 LB-FT
NEMA Design Code	B	KVA Code	N	Starting Current	11.7 A
Service Factor (S.F.)	1.25			No-load Current	0.61 A
NEMA Nom. Eff.	80	Power Factor	80	Line-line Res. @ 25°C	14.8 Ω
Rating - Duty	40C AMB-CONT			Temp. Rise @ Rated Load	65°C
S.F. Amps	2.6/1.3			Temp. Rise @ S.F. Load	77°C

Load Characteristics 460 V, 60 Hz, 0.75 HP

% of Rated Load	25	50	75	100	125	150	S.F.
Power Factor	45	63	73	80	81	80	0
Efficiency	62.6	74.4	78.7	80.4	80.7	80.1	0
Speed	3571	3536	3509	3477	3444	3406	0
Line amperes	0.66	0.76	0.91	1.09	1.29	1.52	1.3

Performance Graph at 460V, 60Hz, 0.75HP Typical performance - Not guaranteed values





CD0005



LOW VOLTAGE  
(2Y)



LINE

HIGH VOLTAGE  
(1Y)



LINE

NOTES:

1. INTERCHANGE ANY TWO LINE LEADS TO REVERSE ROTATION.
2. OPTIONAL THERMOSTATS ARE PROVIDED WHEN SPECIFIED.
3. ACTUAL NUMBER OF INTERNAL PARALLEL CIRCUITS MAY BE A MULTIPLE OF THOSE SHOWN ABOVE.
4. LEAD COLORS ARE OPTIONAL. LEADS MUST ALWAYS BE NUMBERED AS SHOWN.

REV. DESC: REVISE TO SHOW OPTIONAL COLORS			
REV. LTR: E	BY: JLP	REVISED: 01/19/99 10:15	TDR: 0171435
900000		FILE: AAA00005140	MDL: -
		MTL: -	

**BALDOR ELECTRIC Co.**

3PH, DV, 9 LEADS

CD0005